

12mm Square Tact Switch (Vertical, SMT/TH Type)



TSG-71-78S/T-XXXH


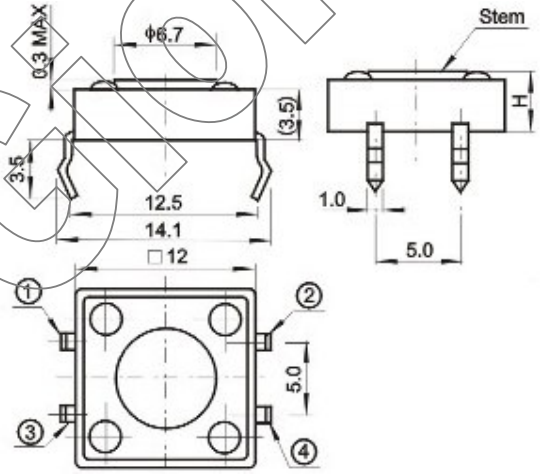
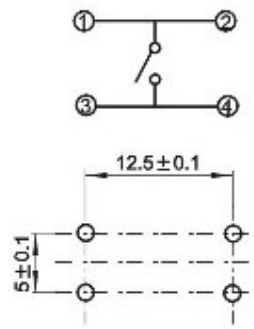
TS - Tact Switch
 G - G Serious
 71 - 78 - Type
 S / T – SMT Type, TH Type
 XXX - Action Force (gram)
 H - With Post (Optional)




SPECIFICATIONS


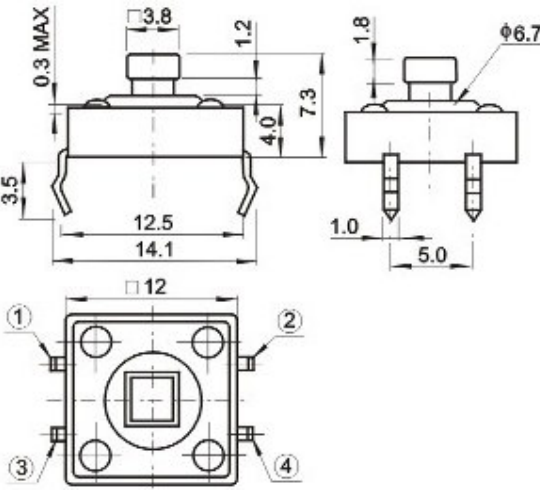
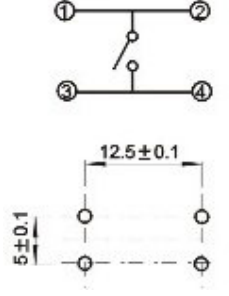

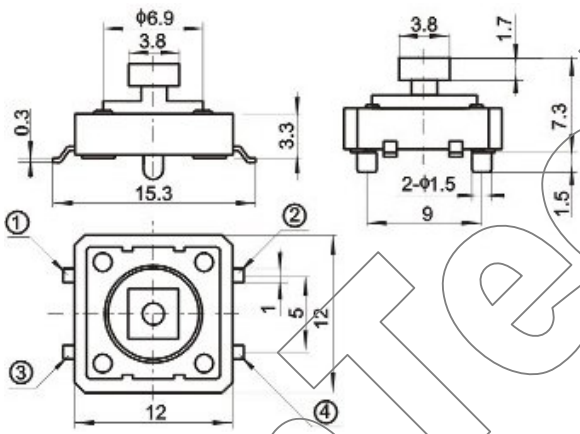
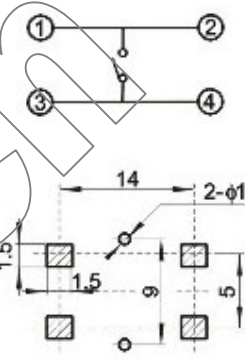

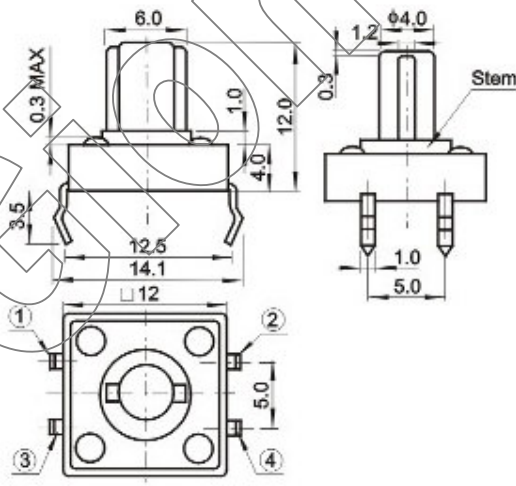
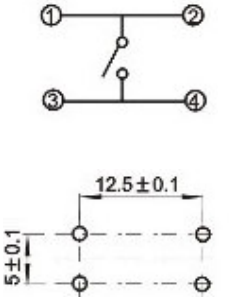
Mechanical Life: 200,000 cycles for 180g±50g
 100,000 cycles for 250g±50g
 Operating Force: 180g±50g, 250g±50g
 Travel: 0.25±0.1mm
 Rating: 50mA 12V DC
 Dielectric Withstanding: 250V AC/minute
 Insulator Resistance: ≥ 100 MΩ at 100V
 Contact Resistance: ≤ 100 mΩ/Contact
 Operating Temperature: -30°C ~ +85°C
 Storage Temperature: -40°C ~ +85°C

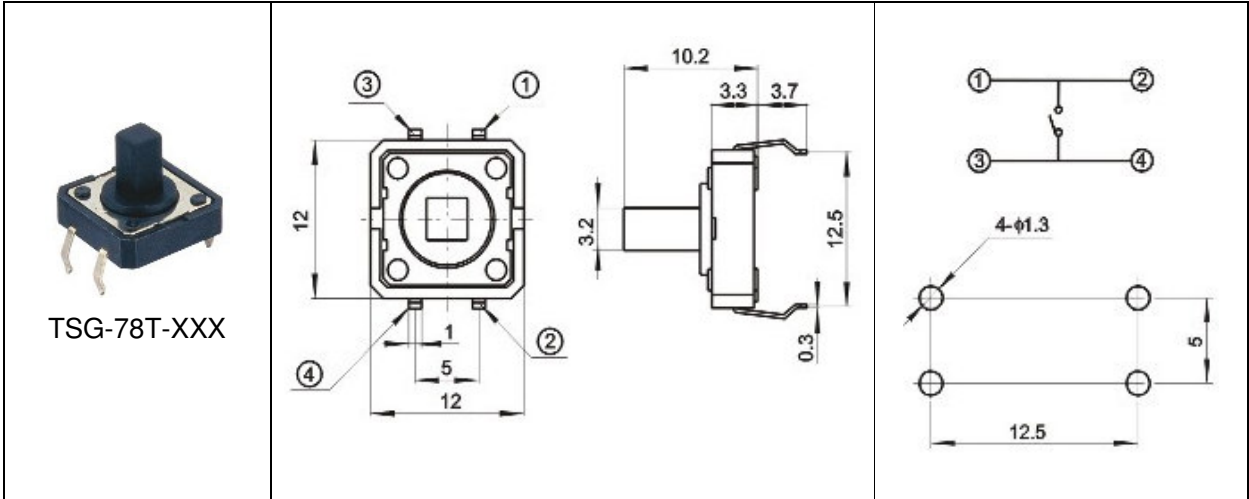
Material

Base: PA66/PA6T, UL94V-0
 Contact material: Phosphor Bronze
 Contact Spring Plating: Stainless Steel/Silver Plating

Physical Picture	Outline Drawing	Circuit
 <p>TSG-71T-XXX</p>		

 <p>TSG-72T-XXXH</p>		
 <p>TSG-73S-XXX</p>		
 <p>TSG-74T-XXX</p>		

 <p>TSG-75T-XXX</p>		
 <p>TSG-76S-XXXH</p>		
 <p>TSG-77T-XXX</p>		



GionTech